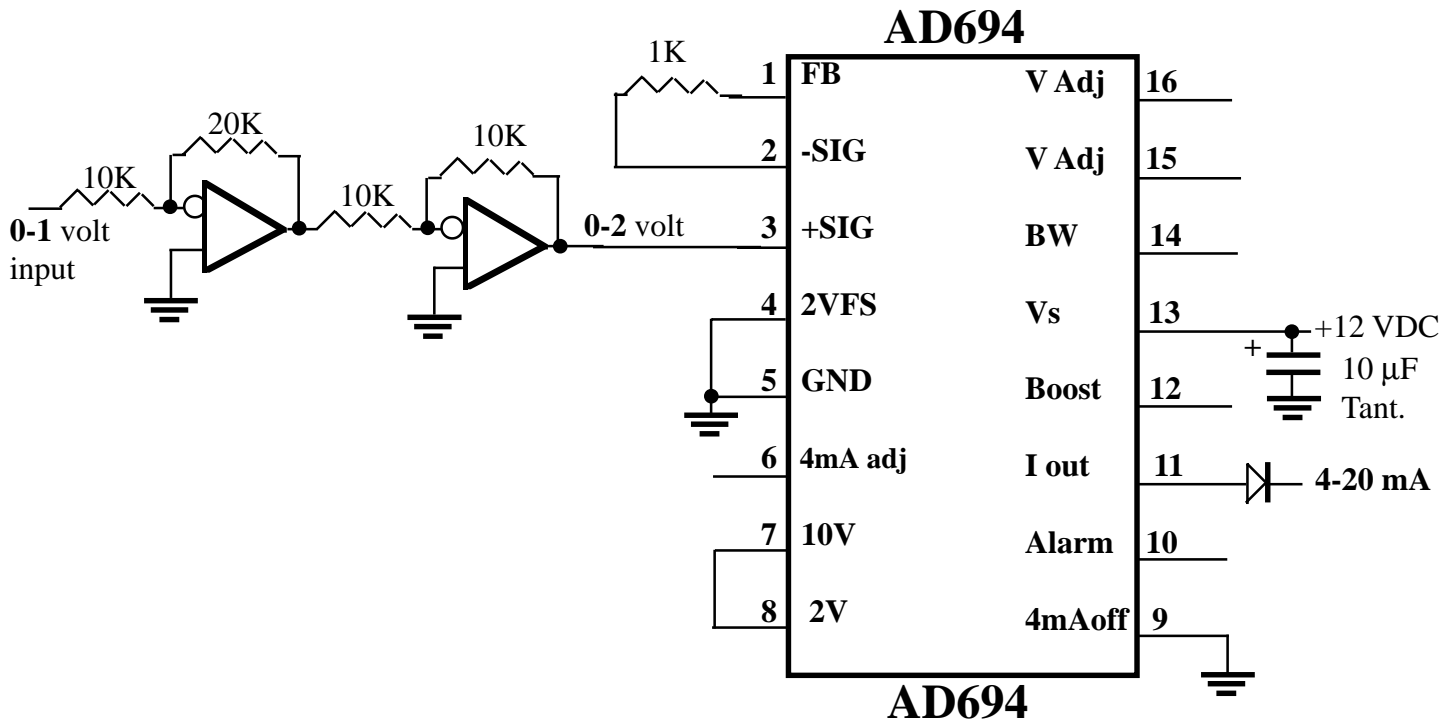


To convert **0-1 volt** linear output from Model **2005SPI** or **2015SPI Digital** sensors to a **4-20 mA** linear output using Analog Devices **AD694** driver IC and a times two amplifier to convert the 0-1V to 0-2V signal



See the [Analog Devices WEB](http://www.analog.com) site at: <http://www.analog.com>